

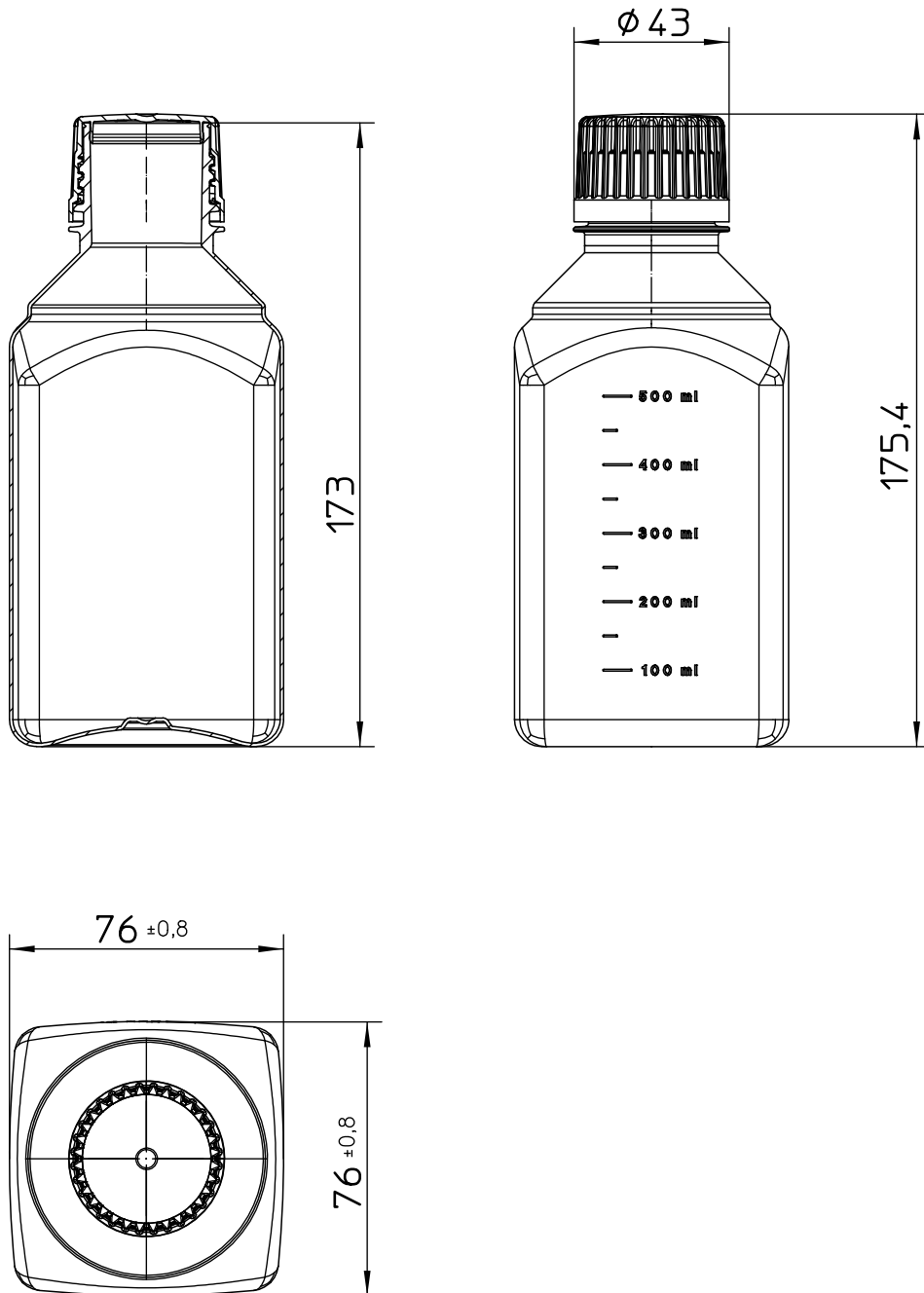
"All dimensions in mm"

Customer drawing subject to change without notice!

Uncontrolled Copy

Prior Issue	Drawn	Approved	Released	CONFIDENTIAL: Information contained in this document or drawing is confidential and proprietary to Greiner Bio-One GmbH. This document may not be reproduced for any reason without written permission from Greiner Bio-One GmbH. All rights of design, invention, and copyright are reserved.
Revision 1	Date 2023/03/02	Date 2024/09/27	Date 2024/09/27	
Date N/A	Name forb	Name kleber	Name sigel	

Valid for Item-No.: 950710



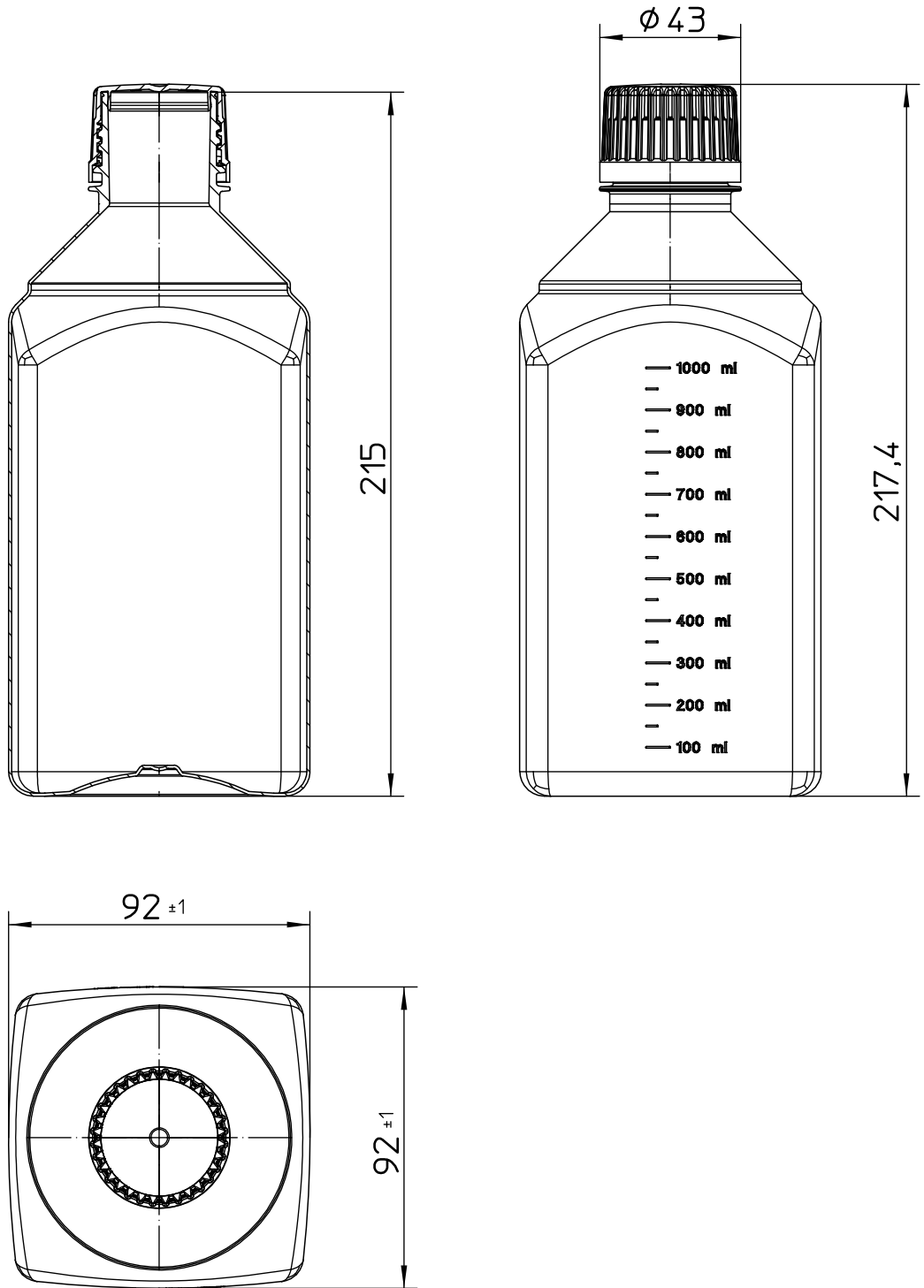
"All dimensions in mm"

Customer drawing subject to change without notice!

Uncontrolled Copy

Prior Issue	Drawn	Approved	Released	CONFIDENTIAL: Information contained in this document or drawing is confidential and proprietary to Greiner Bio-One GmbH. This document may not be reproduced for any reason without written permission from Greiner Bio-One GmbH. All rights of design, invention, and copyright are reserved.
Revision 1	Date 2022/09/28	Date 2024/09/27	Date 2024/09/27	
Date N/A	Name forb	Name kleber	Name sigel	

Valid for Item-No.: 952710




"All dimensions in mm"

Customer drawing subject to change without notice!

Uncontrolled Copy

Prior Issue	Drawn	Approved	Released	CONFIDENTIAL: Information contained in this document or drawing is confidential and proprietary to Greiner Bio-One GmbH. This document may not be reproduced for any reason without written permission from Greiner Bio-One GmbH. All rights of design, invention, and copyright are reserved.
Revision 1	Date 2023/03/02	Date 2024/09/27	Date 2024/09/27	
Date N/A	Name forb	Name kleber	Name sigel	

PDS No. 95x710	PRODUCT DATA SHEET				Page 1 of 1
Revision 01	Media Bottle with Standard Screw Cap				
	Greiner Item-No. 95x710				
Valid for Item-No.:	950710 (sterile)	951710 (sterile)	952710 (sterile)	953710 (sterile)	

1.	Description / Specification	
1.1	Description	Squared media bottle (tetragonal design) with standard screw cap, scale engraving, sterile 950710: 500 ml 951710: 100 ml 952710: 1000 ml 953710: 250 ml
1.2	Dimensions	See Customer Drawing
1.3	Volume	950710: 500 ml 951710: 100 ml 952710: 1000 ml 953710: 250 ml
1.4	Material / Resin	<u>Bottle</u> : PET (Polyethylene Terephthalate), free of heavy metal <u>Screw cap</u> : HDPE (High Density Polyethylene), free of heavy metal
1.5	Colour	<u>Bottle</u> : transparent <u>Screw cap</u> : translucent white
1.6	Sterilization	SAL 10 ⁻⁶
1.7	Quality Control	- <u>Raw Material-Control</u> : physical testing - <u>Product-Control</u> : testing of attributive and variable characteristics in accordance with the valid specification
1.8	Intended Use	General laboratory product for the storage of media and buffers to be used by qualified personnel in a laboratory environment.
1.9	Other Information	For single use only

2.	Features	
2.1	Basic features	Free of detectable DNase/RNase, human DNA and pyrogens. Contents non-cytotoxic
2.2	Temperature range	For application: -80°C to +60°C
2.3	Autoclavability	No
2.4	Centrifugation, max. RCF	N/A
2.5	Chemical Resistance	See homepage: https://www.gbo.com/en_INT/know-how-services/download-center.html
2.6	Shelf life	5 years
2.7	Other Information	-

3.	Packaging	950710	951710	952710	953710
3.1	Pieces / bag	25	49	12	36
3.2	Pieces / Box	50	98	24	108
3.3	Lot-No.	7-digit SAP number	7-digit SAP number	7-digit SAP number	7-digit SAP number
3.4	Other Information	-	-	-	-

4.	Other Information
	-

Data Sheet subject to change without notice!

Prior Issue	Drawn	Approved	Released	CONFIDENTIAL: Information contained in this document or drawing is confidential and proprietary to Greiner Bio-One GmbH. This document may not be reproduced for any reason without written permission from Greiner Bio-One GmbH. All rights of design, invention, and copyright are reserved.
Revision 00	Date 10 June 2024	Date 11 June 2024	Date 11 June 2024	
Date 12.06.2023	Name S. Kaelberer	Name Jens Gaiser	Name Dr. Chen-Ket Chai	

DISCLAIMER: The description of a certain product can only be considered as a guidance because its performance ultimately depends on what the product is used for. Very often performance studies are indispensable.

INTERNAL