

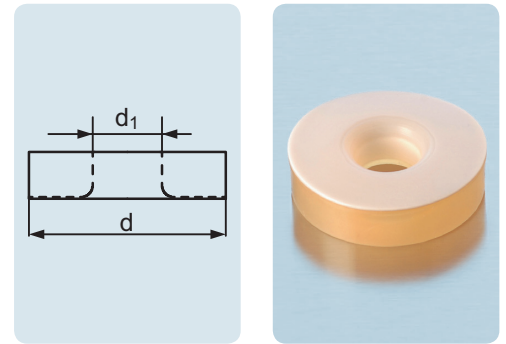
Suitable for PBT screw cap with aperture. Heat resistance: 130 °C (vapour) and 200 °C (dry heat).

Typical application: connecting glass tubes.

Cat. No.	d (OD) (mm)	d _i (OD) (mm)	DIN Thread (GL)	for tube d (OD) (mm)	Pack Unit
292340606	12	6	14	5.5 – 6.5	10
292350607	16	6	18	5.5 – 6.5	10
292350804	16	8	18	7.5 – 9.0	10
292351003	16	10	18	9.0 – 11.0	10
292370806	22	8	25	7.5 – 9.0	10
292371005	22	10	25	9.0 – 11.0	10
292371202	22	12	25	11.0 – 13.0	10
292361004	29	10	32	9.0 – 11.0	10
292361201	29	12	32	11.0 – 13.0	10
292361407	29	14	32	13.0 – 15.0	10
292361604	29	16	32	15.0 – 17.0	10
292361801	29	18	32	17.0 – 19.0	10
292382602	42	26	45	25.0 – 27.0	10
292383204	42	32	45	31.0 – 33.0	10

Silicone Sealing Ring VMQ

with bonded PTFE face



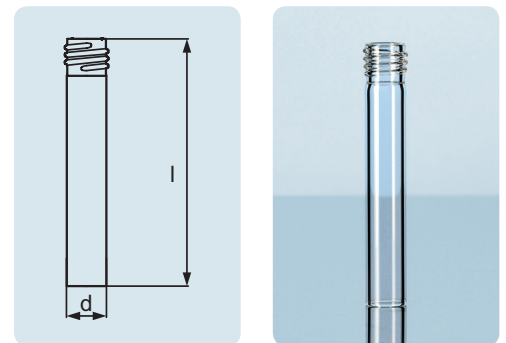
A
121 °C

Tmax.
180 °C

Cat. No.	d (OD) (mm)	l (mm)	DIN Thread (GL)	Wall thickness (mm)	Pack Unit
248360207	12	100	14	1.5	10
248370105	16	100	18	1.8	10
248380209	22	100	25	1.8	10
248390107	28	140	32	2	10
248350103	40	170	45	2.3	1

DURAN® Tube with Screw Thread

with DIN thread



DIN
12216

A
121 °C

USP
Standard