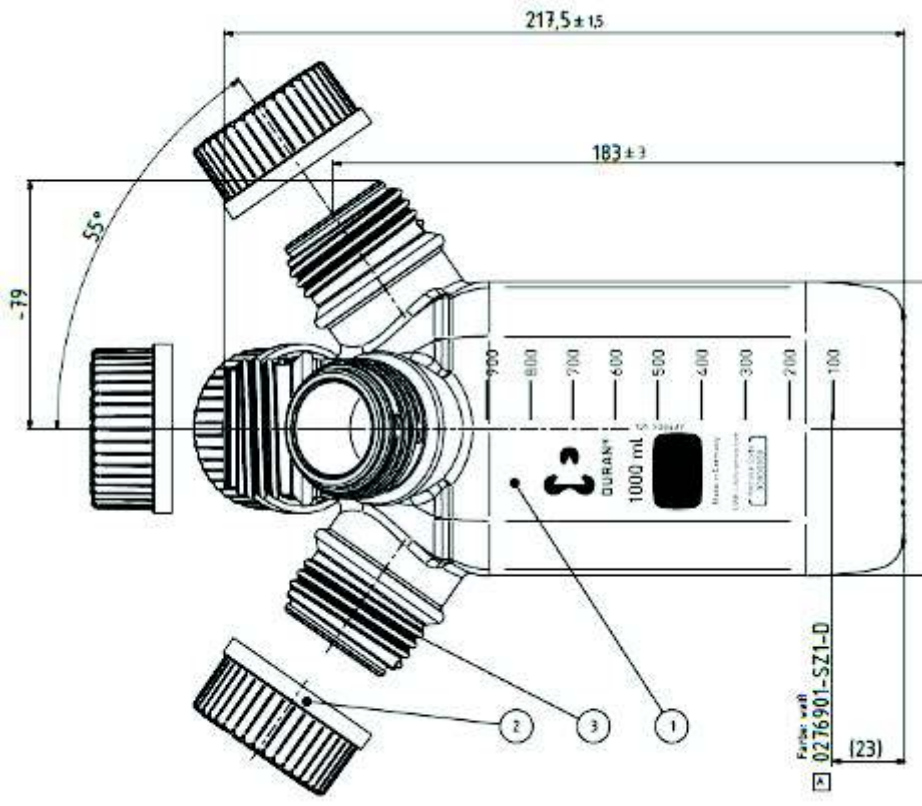




DURAN® GL 45 “Hydra” Bottle 1000ml, 4 GL 45 Side Necks





DURAN® GL 45 “Hydra” Bottle 1000ml, 4 GL 45 Side Necks



APPLICATION

- ▶ HPLC Purge Bottle
- ▶ Instrument Reagent Supply Bottle

FEATURES & BENEFITS

- Convenient Purging – Connects up to 5 HPLC caps
- Safe Purging – Reduces risk of volatile organic compounds (VOC) escape and spillage
- Manufactured from the material of choice for HPLC solvent bottles: borosilicate 3.3 glass offering a very low inorganic ion extractables profile
- GL 45 thread fits standard HPLC connection caps
- 1 L Square space saving shape
- Retrace Code, and certificate for manufacturing lot traceability
- Durable white enamel volume graduations